



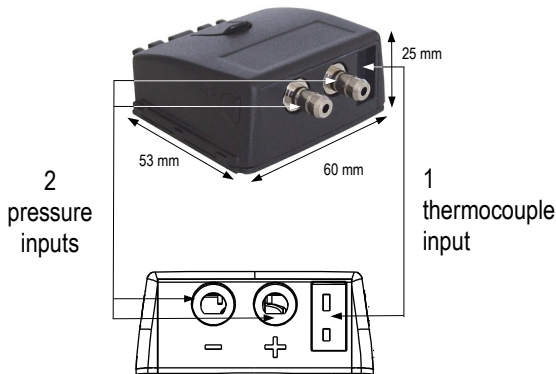
**Interchangeable
measurement modules
for Class 200 – 300 portable instruments**

■ Pressure and thermocouple	Measuring range	Accuracy*	t ₆₃	Ref.
-----------------------------	-----------------	-----------	-----------------	------

Module with 2 pressure inputs and 1 thermocouple input.

Measurement module compatible with :

- MP200
- AMI 300



PRESSURE :

from -500 to +500 Pa Self-calibration with solenoid valve. Resolution : 0.1 Pa	± 0.2% of reading ± 0.8Pa	0.5 sec.	MDP 500
from -2500 to +2500 Pa resolution : 1 Pa	± 0.2% of reading ± 2Pa	0.5 sec.	MDP 2500
from -10000 to +10000 Pa resolution : 1 Pa	± 0.2% of reading ± 10Pa	0.5 sec.	MDP 10000
from -500 to +500 mBar resolution : 1 mbar	± 0.2% of reading ± 0,5mBar	0.5 sec.	MDP 500 M
from -2000 to +2000 mBar resolution : 1 mbar	± 0.2% of reading ± 2mBar	0.5 sec.	MDP 2000 M

TEMPERATURE PROBES :

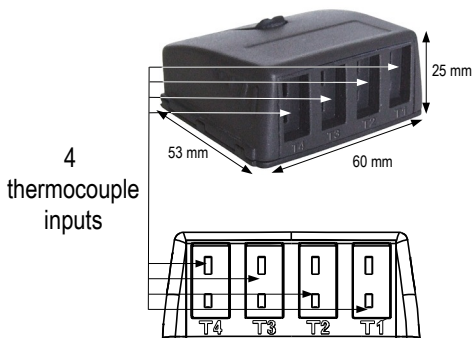
K : from -200 to +1300°C	±1,1°C or ±0,4% of reading**
J : from -100 to +750°C	±0,8°C or ±0,4% of reading**
T : from -200 to +400°C	±0,5°C or ±0,4% of reading**

■ Temperature	Measuring range	Accuracy*	Ref.
---------------	-----------------	-----------	------

Module with 4 thermocouple inputs

Measurement module compatible with :

- MP200
- TM200
- VT200
- AQ200
- HD200
- AMI300



TEMPERATURE PROBES :

K : from -200 to +1300°C	±1,1°C or ±0,4% of reading**	MTC 4
J : from -100 to +750°C	±0,8°C or ±0,4% of reading**	
T : from -200 to +400°C	±0,5°C or ±0,4% of reading**	

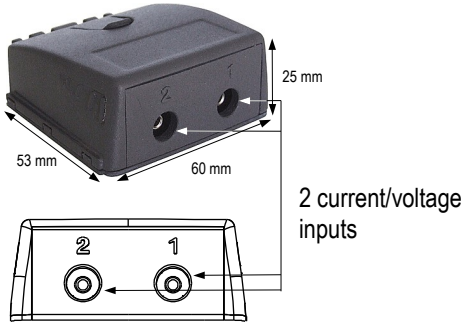
*All accuracies indicated in this document were stated in laboratory conditions and can be guaranteed for measurements carried out in the same conditions, or carried out with required compensation.
**The accuracy is expressed either by a deviation in °C, or by a percentage of the value concerned. Only the bigger value is considered.

■ Current / voltage	Measuring range	Accuracy*	Ref.
---------------------	-----------------	-----------	------

Module with 2 current/voltage inputs

Measurement module compatible with :

- MP200
- TM200
- VT200
- AQ200
- HD200
- AMI300



CURRENT :

from 0 to 4-20 mA ± 0.01 mA MCT
 resolution : 0,001 mA

VOLTAGE :

from 0 to 2,5 V ± 2 mV
 resolution : 0,001 V

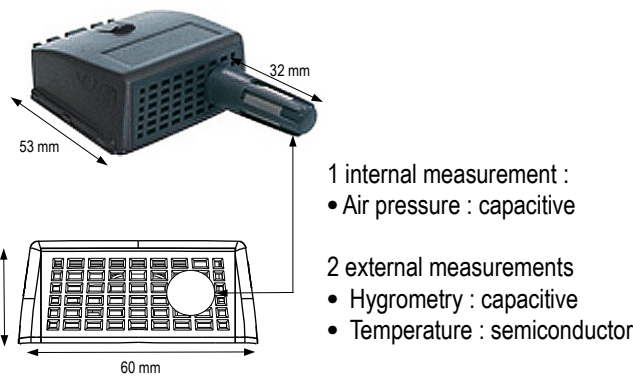
From 0 to 10 V ± 10 mV
 resolution : 0,001 V

■ Climatic conditions	Measuring range	Accuracy*	t ₆₃	Ref.
-----------------------	-----------------	-----------	-----------------	------

Module with internal sensor of hygrometry, temperature and air pressure.

Measurement module compatible with :

- AQ 200
- AMI 300



HYGROMETRY :

Relative humidity Accuracy** (Repeatability, linearity, 50sec. MHTP
 hysteresis) :
 from 5 to 95 %RH ±1,8%RH (from 15°C to 25°C) (V_{air}=2m/s)

Factory calibration uncertainty : ±0,88 %RH
 Temperature dependence :
 ±0.04 x (T-20) %RH (if T<15°C or T>25°C)

TEMPERATURE :

from -20 to +80°C ±0,4% of reading ±0,3°C 25sec.
 (V_{air}=2m/s)

AIR PRESSURE :

from 800 to +1100 hPa ±3hPa 0.5sec.

*All accuracies indicated in this document were stated in laboratory conditions and can be guaranteed for measurements carried out in the same conditions, or carried out with required compensation.
 **The accuracy is expressed either by a deviation in °C, or by a percentage of the value concerned. Only the bigger value is considered.

www.kimo.fr

Distributed by :

EXPORT DEPARTMENT
 Tel : + 33. 1. 60. 06. 69. 25 - Fax : + 33. 1. 60. 06. 69. 29
 e-mail : export@kimo.fr



FTang – Modules – 12/08 D – We reserve the right to modify the characteristics of our products without notice.